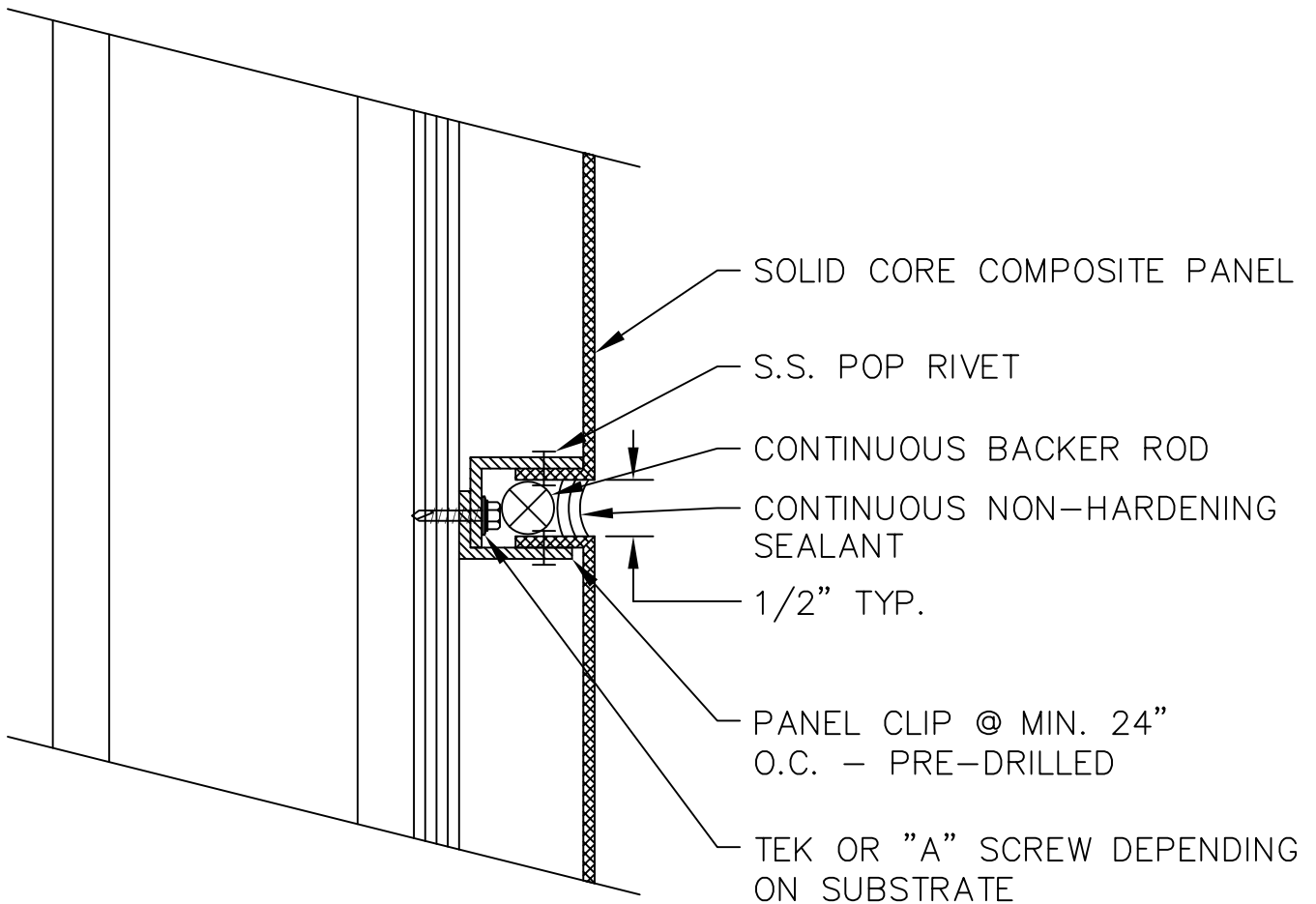
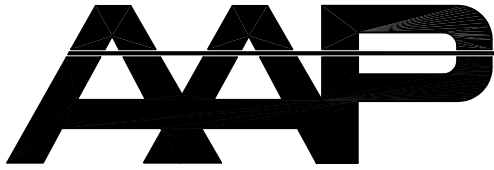


WS-4000

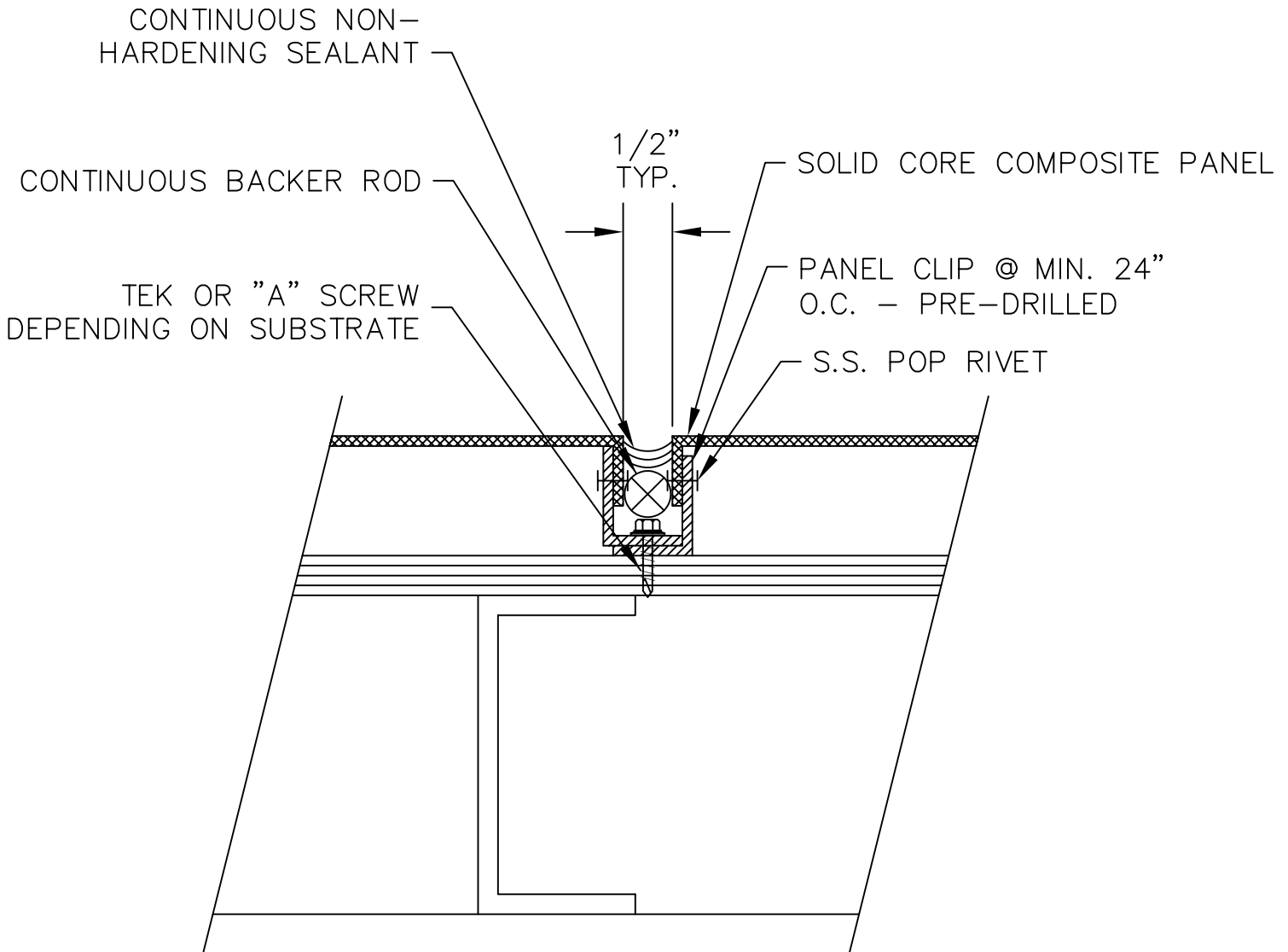
HORIZONTAL JOINT DETAIL

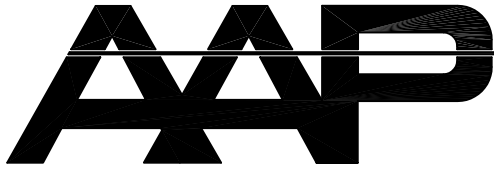




WS-4000

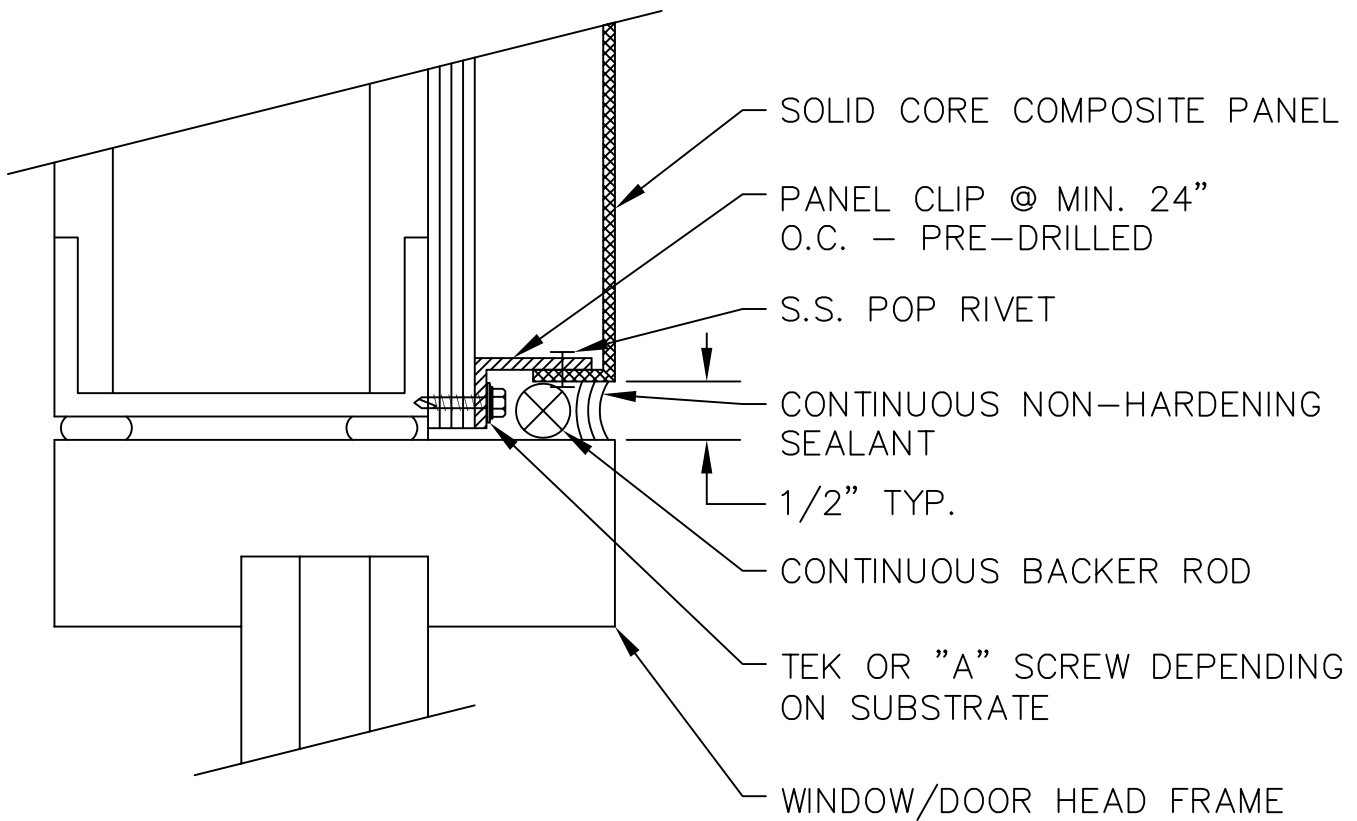
VERTICAL JOINT DETAIL

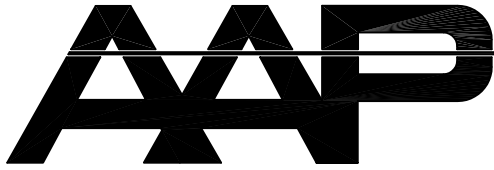




WS-4000

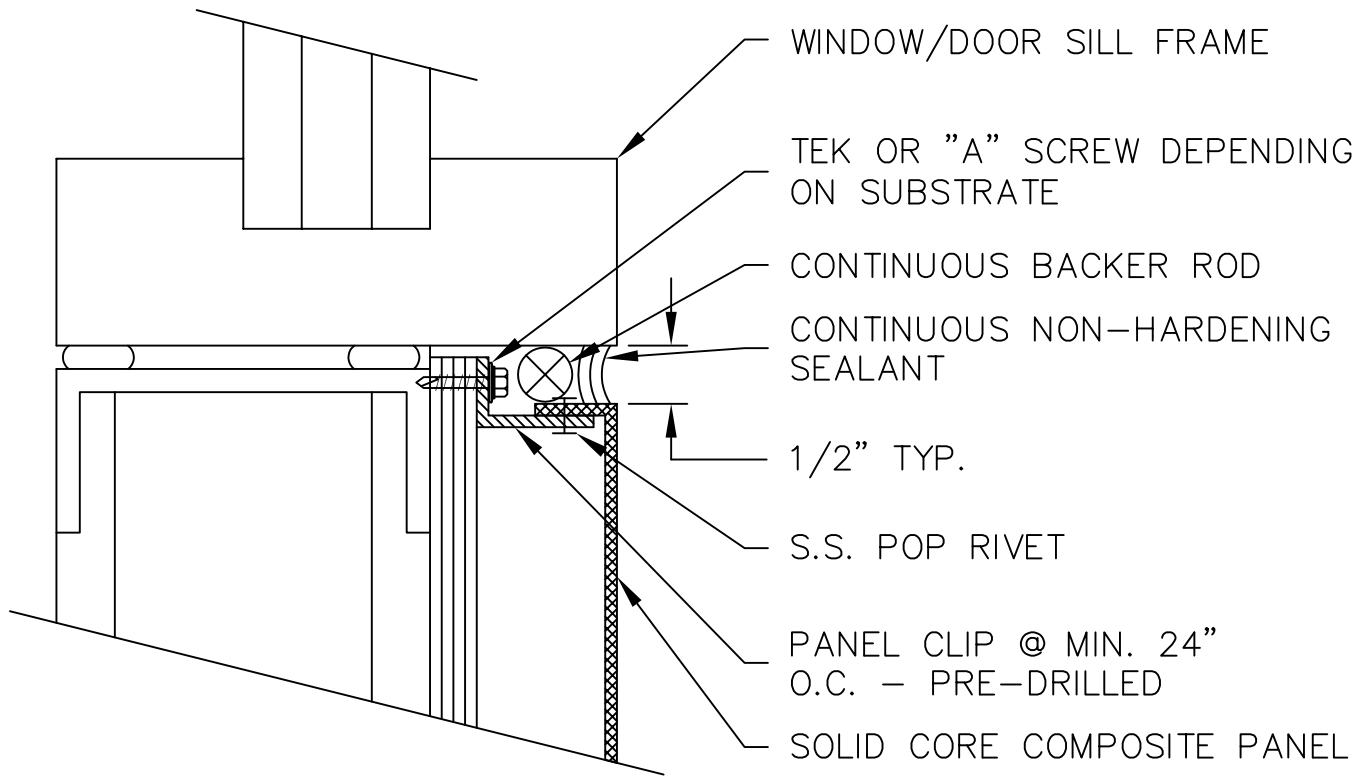
TYPICAL HEAD DETAIL

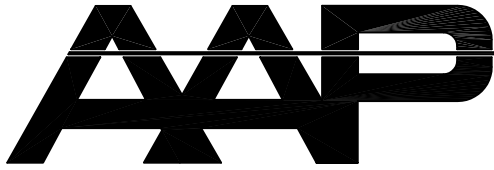




WS-4000

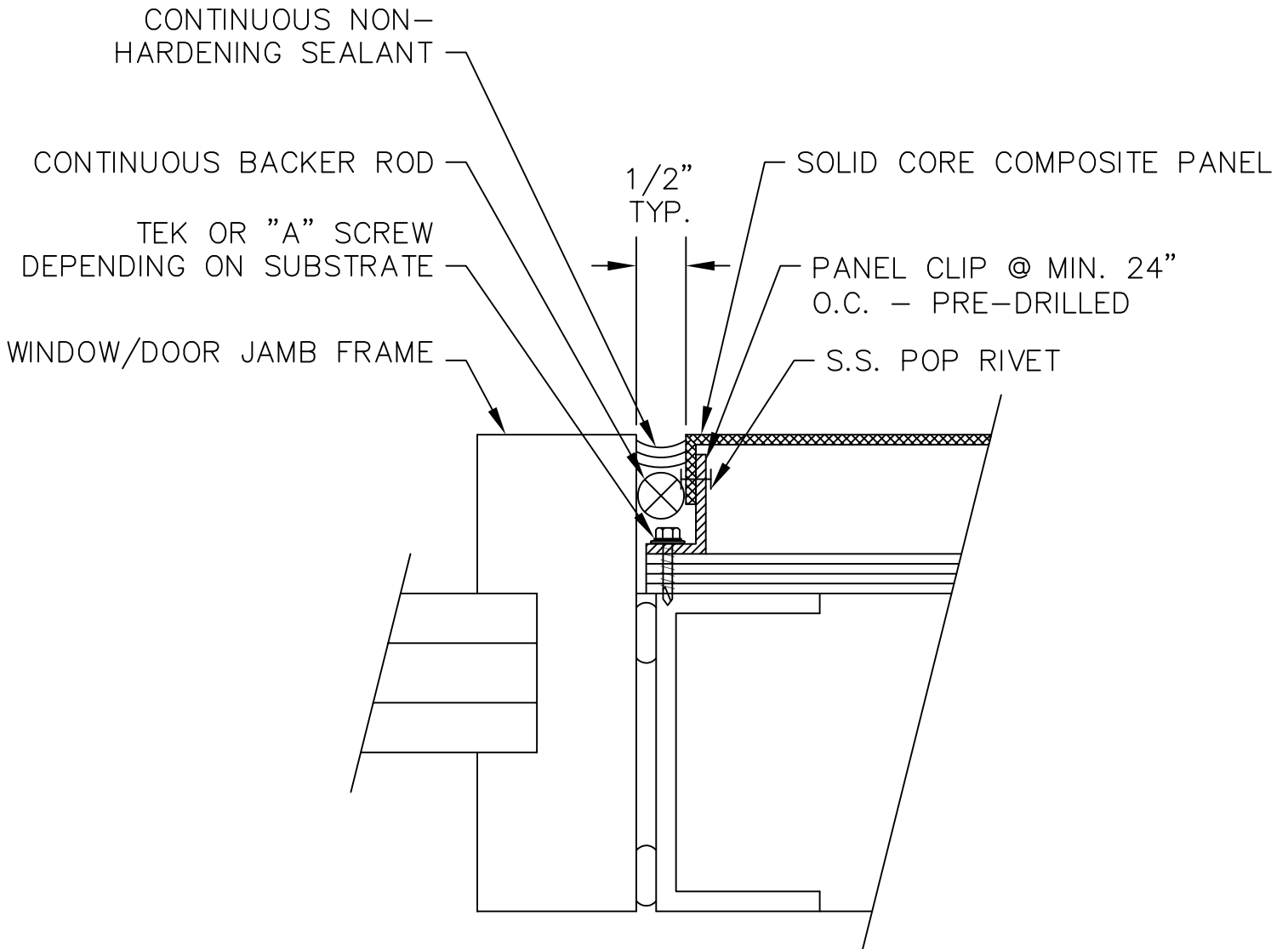
TYPICAL SILL DETAIL

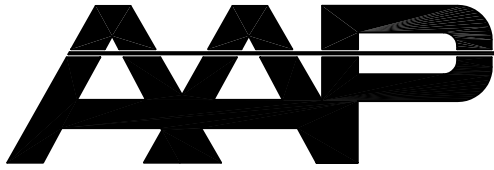




WS-4000

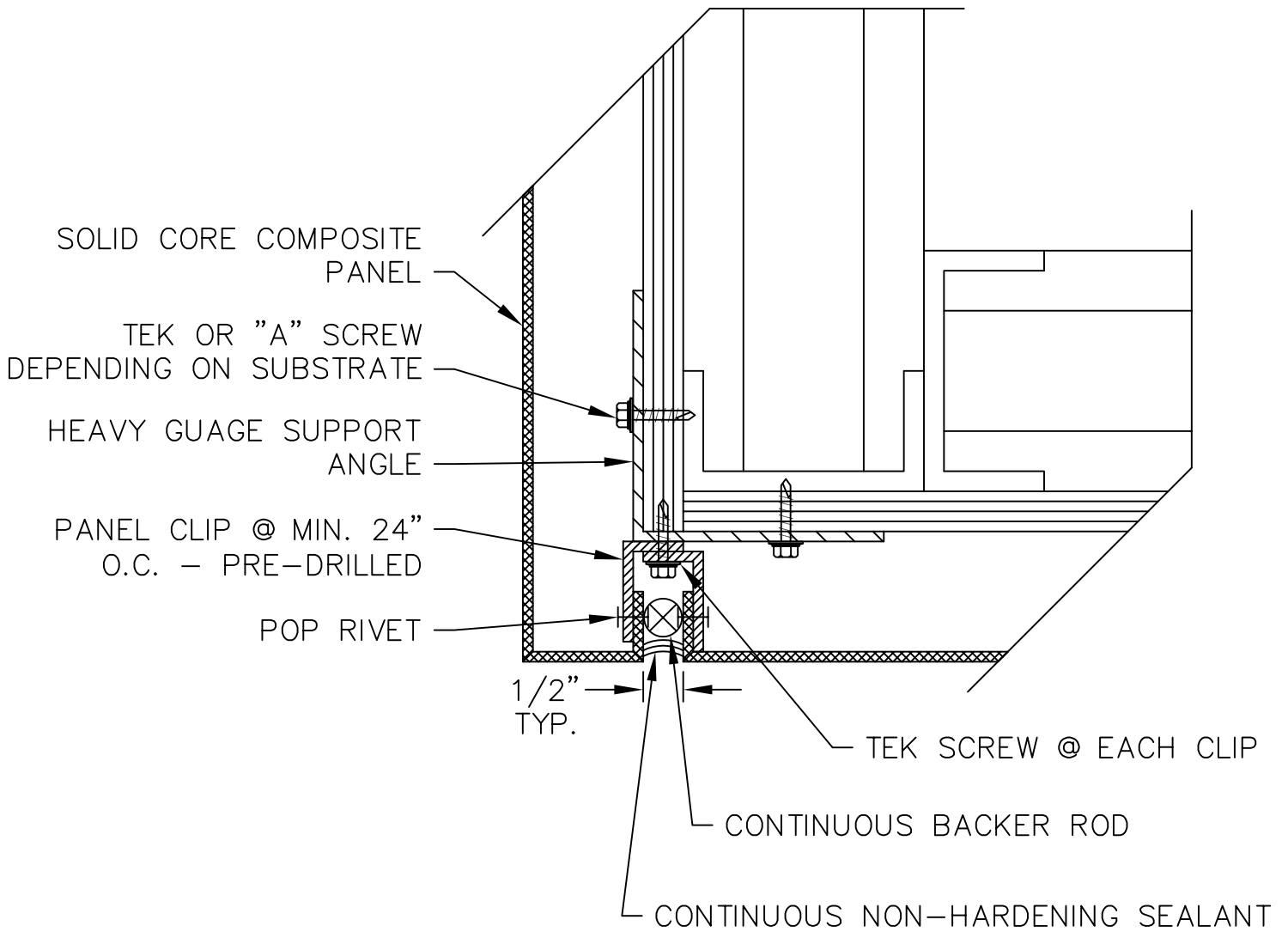
TYPICAL JAMB DETAIL

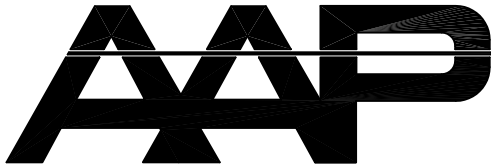




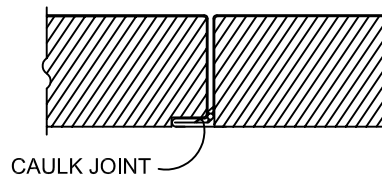
WS-4000

TYPICAL SOFFIT DETAIL





WS-2000



Uses:

DS-2000 is a plate system featuring a tight caulk joint.

Installation:

DS-2000 can be installed horizontally, at any angle, for soffit, or curved.

Required Sub-Framing:

DS-2000 requires solid substrate and/or sub-framing 30" on center max.

Finish:

Hylar 5000/Kynar 500 painted Al or steel, anodized Al, and stainless steel.

Sizes:

max-36"x50'

Exterior Surface:

Steel-Non-directional embossed
Aluminum-Smooth or Embossed

Core Material:

Expanded Polystyrene

Std. Metal Gauge:

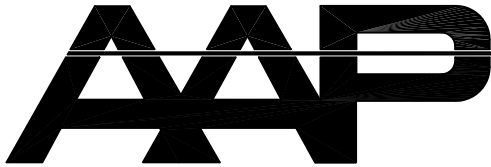
Steel-22/24 Gau.
Aluminum-.050"/.040"

Thickness:

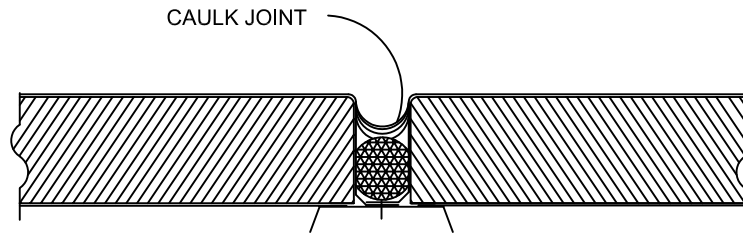
1"

R Value:

N/A



WS-1000



PRODUCT TESTING & OTHER INFORMATION

ASTM E-283 (AIR)	ASTM E-331 (WATER)	UL FIRE REISISTANCE	SECTIONAL PROPERTIES	LOAD SPAN TABLES	DATA SHEET
YES	YES	YES	YES	YES	YES

Uses:

DS-1000 is a plate system featuring a 1/2" wet seal joint

Installation:

DS-1000 can be installed horizontally, at any angle, for soffit, or curved.

Required Sub-Framing:

DS-1000 requires solid substrate and/or sub-framing 30" on center max.

Finish:

Hylar 5000/Kynar 500 painted Al or steel, anodized Al, and stainless steel.

Sizes:

max-36"x50'

Exterior Surface:

Steel-Non-directional embossed
Aluminum-Smooth or Embossed

Core Material:

Expanded Polystyrene

Std. Metal Gauge:

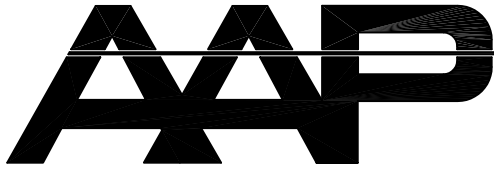
Steel-22/24 Gau.
Aluminum-.050"/.040"

Thickness:

1"

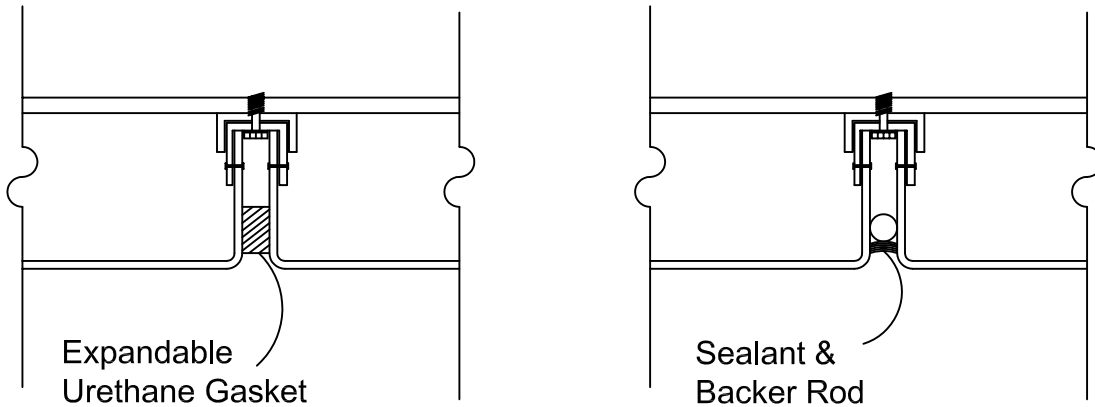
R Value:

N/A



WS-1000 PLATE SYSTEM

Vertical Joints



Horizontal Joints

