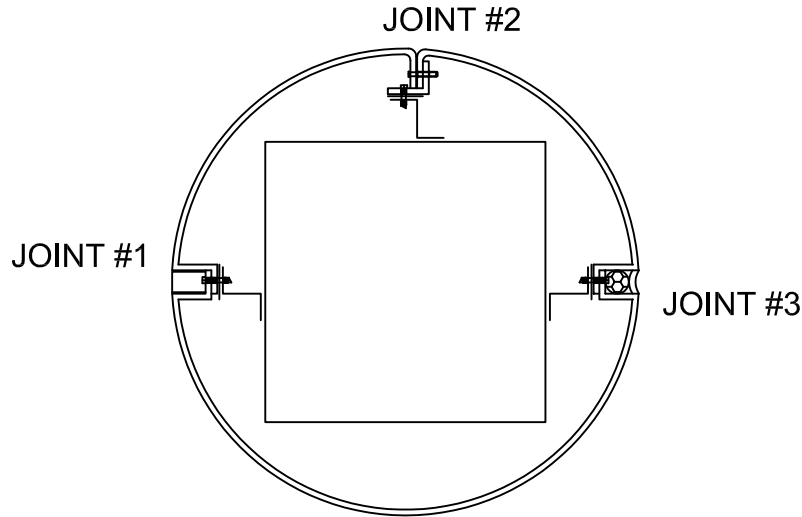


COLUMN COVERS ROUND



MATERIAL OPTIONS

COIL-COATED ALUMINUM
 ANODIZED ALUMINUM
 STAINLESS STEEL
 BRONZE
 GALVALUME

FINISH OPTIONS

PAINTING:

HYLAR 5000/KYNAR, MODIFIED POLYESTERS,
 AND OTHER CUSTOM OR EXOTIC FINISHES CAN
 BE COILCOATED OR SPRAY APPLIED.

ANODIZING

CLEAR, BRONZES, AND VARIOUS OTHER COLORS
 CAN BE COIL ANODIZED FOR COLOR CONSISTENCY.

FABRICATION OPTIONS

STEEL	N/A
ALUMINUM	.050, .080, 1/8" PLATE
COPPER	N/A
MINIMUM LENGTH	10"
MAXIMUM LENGTH	144"
MINIMUM RADIUS	8"
MAXIMUM RADIUS	20"

MECHANICAL FINISHES

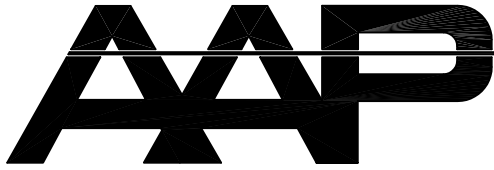
PROVIDES A SURFACE TEXTURE BY MECHANICAL
 MEANS ALONE. EMBOSSING PATTERNS ARE
 CURRENTLY AVAILABLE.

CUSTOM COLORS

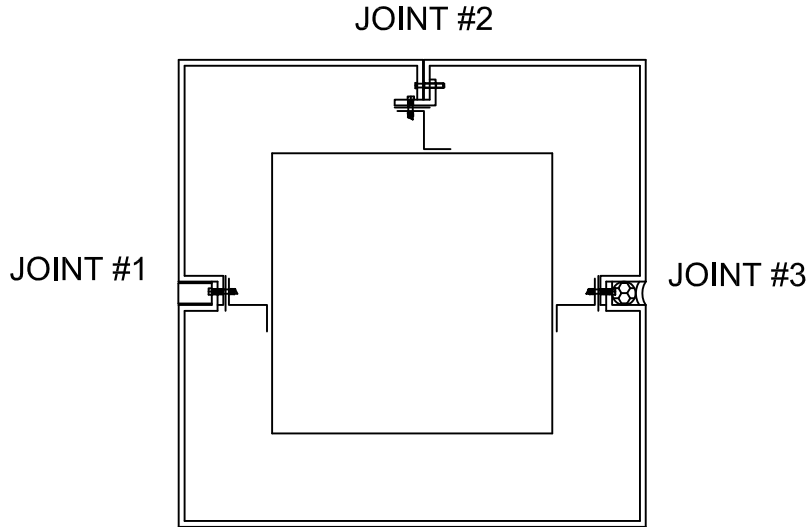
WE CAN PROVIDE FULL CUSTOM COLOR SERVICES TO
 MATCH PRACTICALLY ANY MATERIAL, SHADE, OR TINT
 YOU REQUEST.

NOTES:

1. HEAVIER GAUGES, NARROWER WIDTHS, AND EMBOSSING MINIMIZE "OIL CANNING".
2. OIL CANNING IS NOT A CAUSE FOR REJECTION.
3. COLUMN COVERS ARE PACKAGED IN METAL CRATES TO MINIMIZE FREIGHT DAMAGE.
4. AN EXTENSIVE SELECTION OF ASSOCIATED PANELS FLASHINGS AND TRIMS ARE AVAILABLE.



COLUMN COVERS SQUARE



MATERIAL OPTIONS

COIL-COATED STEEL
 COIL-COATED ALUMINUM
 ARCHITECTURAL GRADE SHEET COPPER
 ANODIZED ALUMINUM
 STAINLESS STEEL
 BRONZE
 GALVALUME

FINISH OPTIONS

PAINTING:

HYLAR 5000/KYNAR, MODIFIED POLYESTERS,
 AND OTHER CUSTOM OR EXOTIC FINISHES CAN
 BE COILCOATED OR SPRAY APPLIED.

ANODIZING

CLEARS, BRONZES, AND VARIOUS OTHER COLORS
 CAN BE COIL ANODIZED FOR COLOR CONSISTENCY.

FABRICATION OPTIONS

STEEL	16-20 GAUGE
ALUMINUM	.050", .080", 1/8" PLATE
COPPER	16&20 OZ.
MINIMUM LENGTH	10"
MAXIMUM LENGTH	144"

MECHANICAL FINISHES

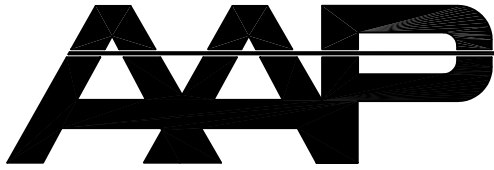
PROVIDES A SURFACE TEXTURE BY MECHANICAL
 MEANS ALONE. EMBOSING PATTERNS ARE
 CURRENTLY AVAILABLE.

CUSTOM COLORS

WE CAN PROVIDE FULL CUSTOM COLOR SERVICES TO
 MATCH PRACTICALLY ANY MATERIAL, SHADE, OR TINT
 YOU REQUEST.

NOTES:

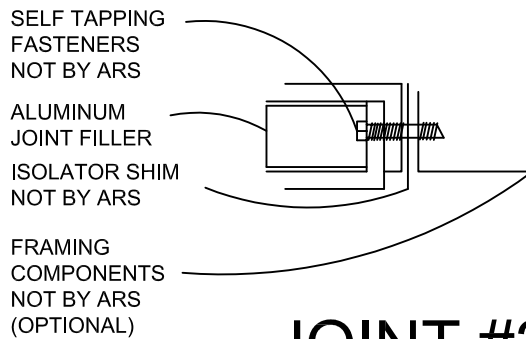
1. HEAVIER GAUGES, NARROWER WIDTHS, AND EMBOSING MINIMIZE "OIL CANNING".
2. OIL CANNING IS NOT A CAUSE FOR REJECTION.
3. COLUMN COVERS ARE PACKAGED IN METAL CRATES TO MINIMIZE FREIGHT DAMAGE.
4. AN EXTENSIVE SELECTION OF ASSOCIATED PANELS FLASHINGS AND TRIMS ARE AVAILABLE.



COLUMN COVERS VERTICAL JOINT

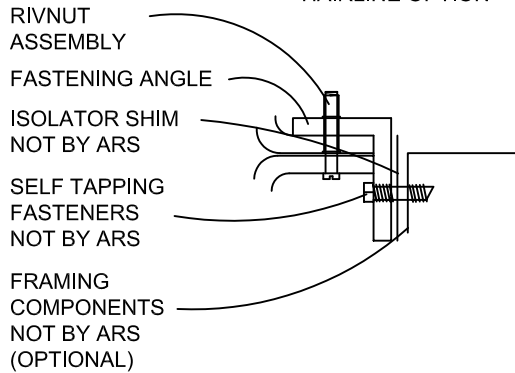
JOINT #1

CHANNEL FILLER OPTION



JOINT #2

HAIRLINE OPTION



JOINT #3

CAULK OPTION

