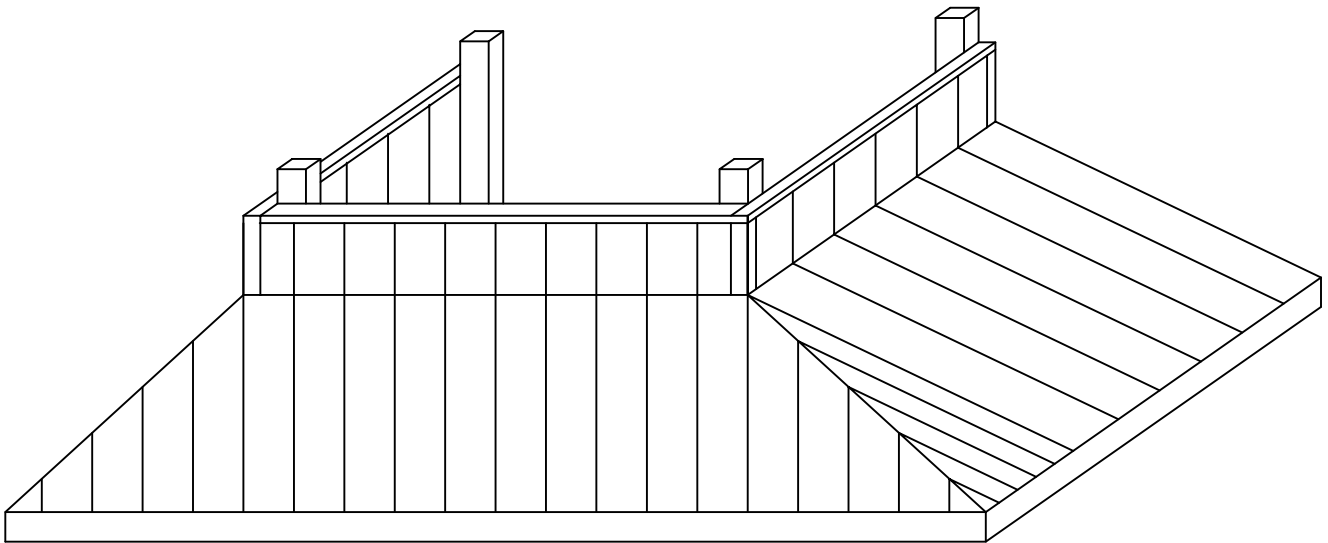


ADVANCED ARCHITECTURAL PRODUCTS

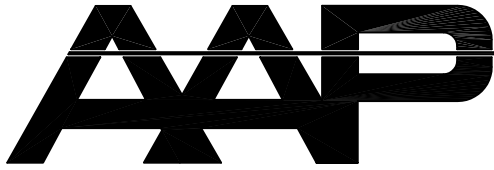
ARCHITECTURAL SCREEN



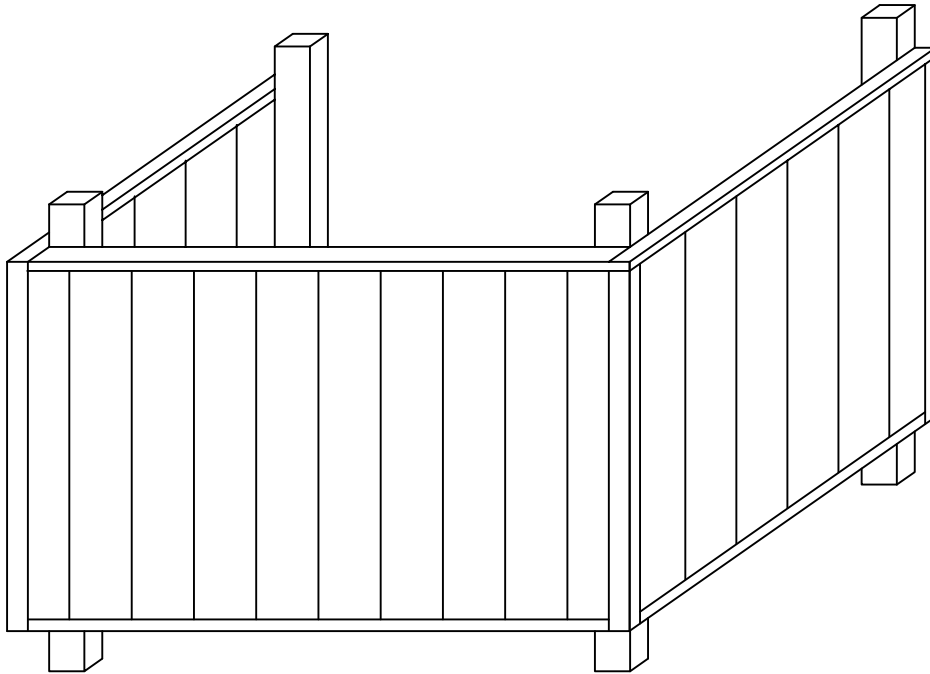
PANEL OPTIONS

SECTION II

- ROOF-LOK
- SNAP-RIB
- SEAM-LOK
- DOUBLE- LOK
- BATTEN PANEL



VERTICAL SCREEN



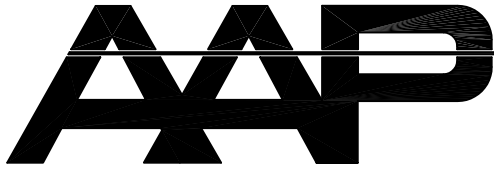
PANEL OPTIONS

SECTION IV

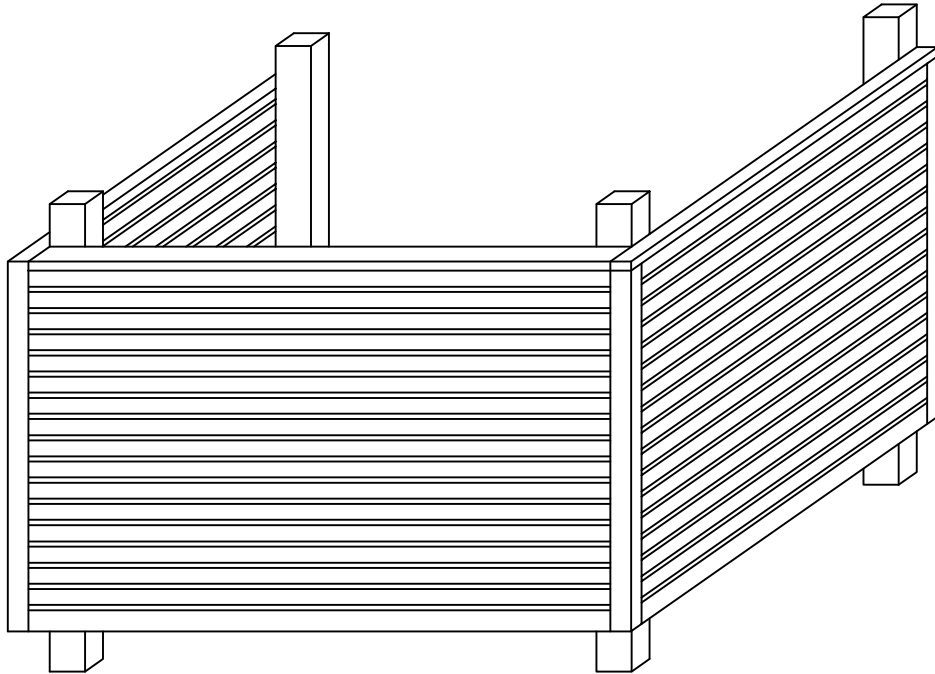
F-8A	F-12E
F-8B	F-12F
F-12A	F-12FN
F-12B	F-12S
F-12C	F-12T
F-12D	F-16FN
	F-18FN

SECTION V

SERIES 100
SERIES 200
SERIES 300
SERIES 400
SERIES 500
SERIES 600



HORIZONTAL SCREEN



PANEL OPTIONS

SECTION V

SERIES 100
SERIES 200
SERIES 300
SERIES 400
SERIES 500
SERIES 600

SECTION III

SERIES 1000
SERIES 2000
SERIES 3000